

# USER MANUAL



Thank you for choosing Better Bathrooms.  
Please read this manual before installing your product  
and keep for future reference.

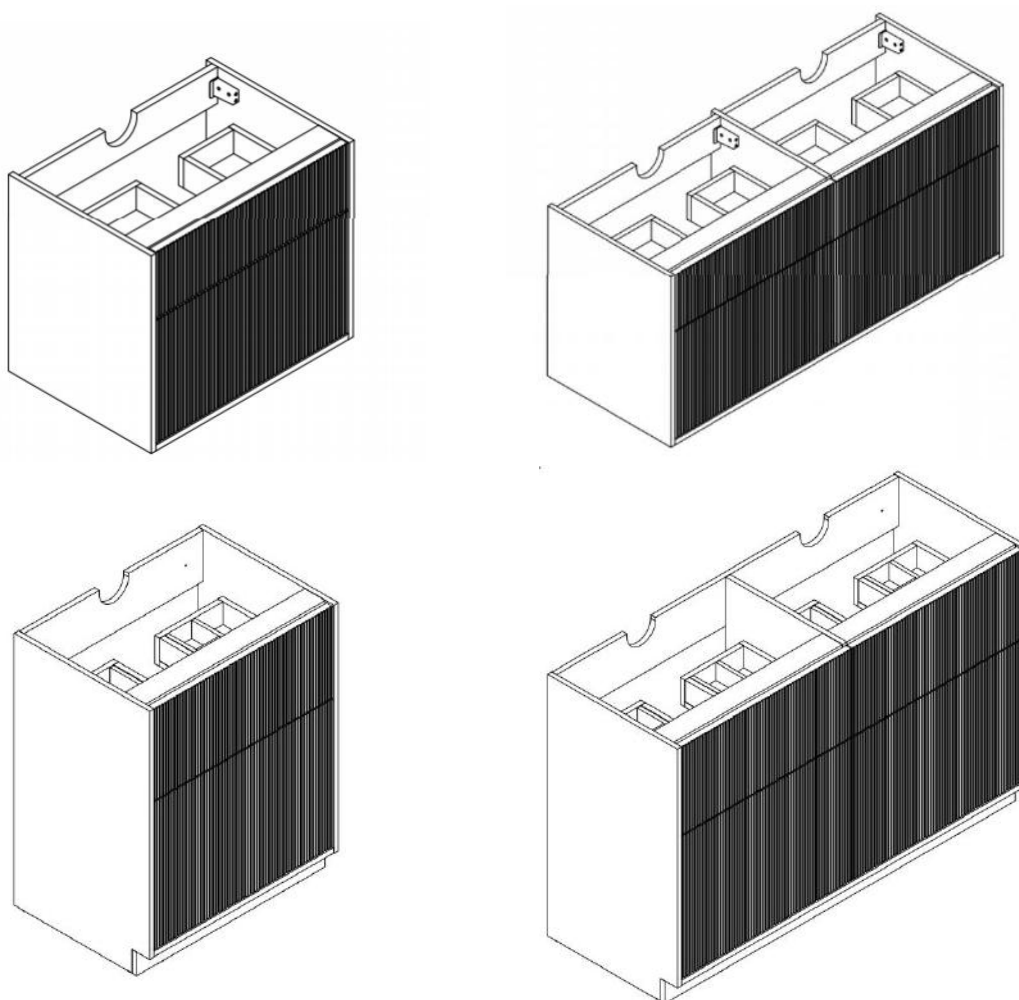
**better**   
**bathrooms**

**Product name: Matira Vanity Unit and Storage**

**Product codes: MATI640/MATI1240/MATI640BL/**

**MATI1240BL/MATI640FS/MATI1240FS/**

**MATI640FSBL/MATI1240FSBL**



- **Multi-person assembly**
- **Tools required**
- **We always recommend using professional tradespeople to install your product**

V2\_2023.10.25

# Congratulations on your purchase

*And welcome to our growing gang of savvy shoppers*

We're on a mission to bring you extraordinary bathroom products, for less. From modern to traditional style ceramics, plus the gorgeous fixtures, fittings and furniture to match. So, you can fall in love with your space every single day.

As one of the UK's largest independent bathroom stores, we've received countless awards; including the National Business Awards UK, the Digital Entrepreneur Awards and being placed on The Sunday Times Fast Track 100.

We hope your new product goes above and beyond your expectations. However, should any problems occur, please:

- log in to your account and contact our customer services team via your self-serve portal – [betterbathrooms.com/CustomerAccount/Login](https://betterbathrooms.com/CustomerAccount/Login)
- contact us via [betterbathrooms.com/content/contact-us](https://betterbathrooms.com/content/contact-us)

## Important information

- Please read these instructions thoroughly and retain for future reference
- Always check for pipes and cables before drilling
- This product is “PUSH TO OPEN”, do not pull the drawer to open as this can damage the mechanism

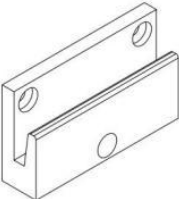
# Contents

Product	Description	Qty	Description	Qty	Description	Qty	Description	Qty	Description	Qty
MAT1640	Wall Screw	6	Wall Plug	6	Wall Bracket	2				
MAT11240	Wall Screw	9	Wall Plug	9	Wall Bracket	3				
MAT1640BL	Wall Screw	6	Wall Plug	6	Wall Bracket	2				
MAT11240BL	Wall Screw	9	Wall Plug	9	Wall Bracket	3				
MAT1640FS	Wall Screw	2	Wall Plug	2	Brass washer	2	Screw cap	2	Plastic washer	2
MAT11240FS	Wall Screw	2	Wall Plug	2	Brass washer	2	Screw cap	2	Plastic washer	2
MAT1640FSBL	Wall Screw	2	Wall Plug	2	Brass washer	2	Screw cap	2	Plastic washer	2
MAT11240FSBL	Wall Screw	2	Wall Plug	2	Brass washer	2	Screw cap	2	Plastic washer	2

# Maximum loading

- Please noted the maximum loading for unit is 100kgs(Including top/basin weight).
- Please noted the maximum loading for each drawer is 20kgs.

# Parts / Diagrams



Wall bracket

Wall plug

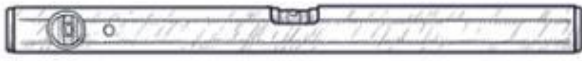
Wall screw

Plastic washer

Brass washer

Screw cap

## Tools required



Spirit Level



Electric drill



Drill bit  
( $\Phi 8$ )



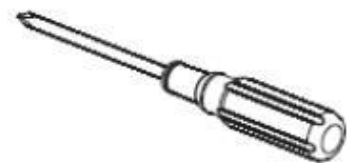
Tape measure  
(3m~5m)



Silicone



Pencil



Screwdriver

# Cabinet installation:

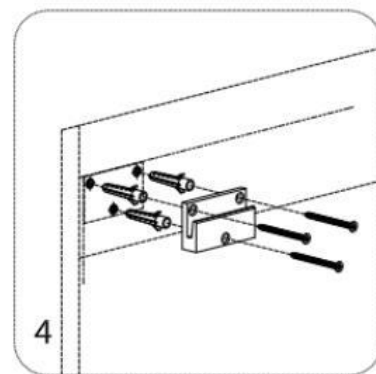
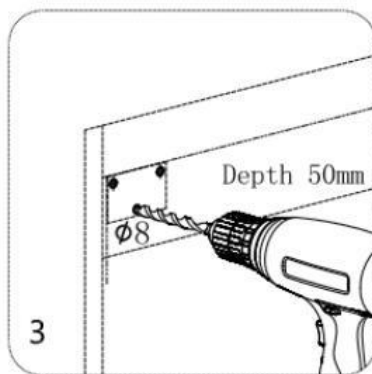
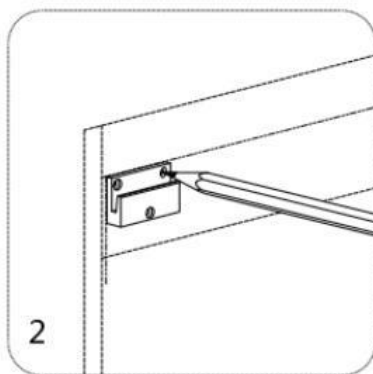
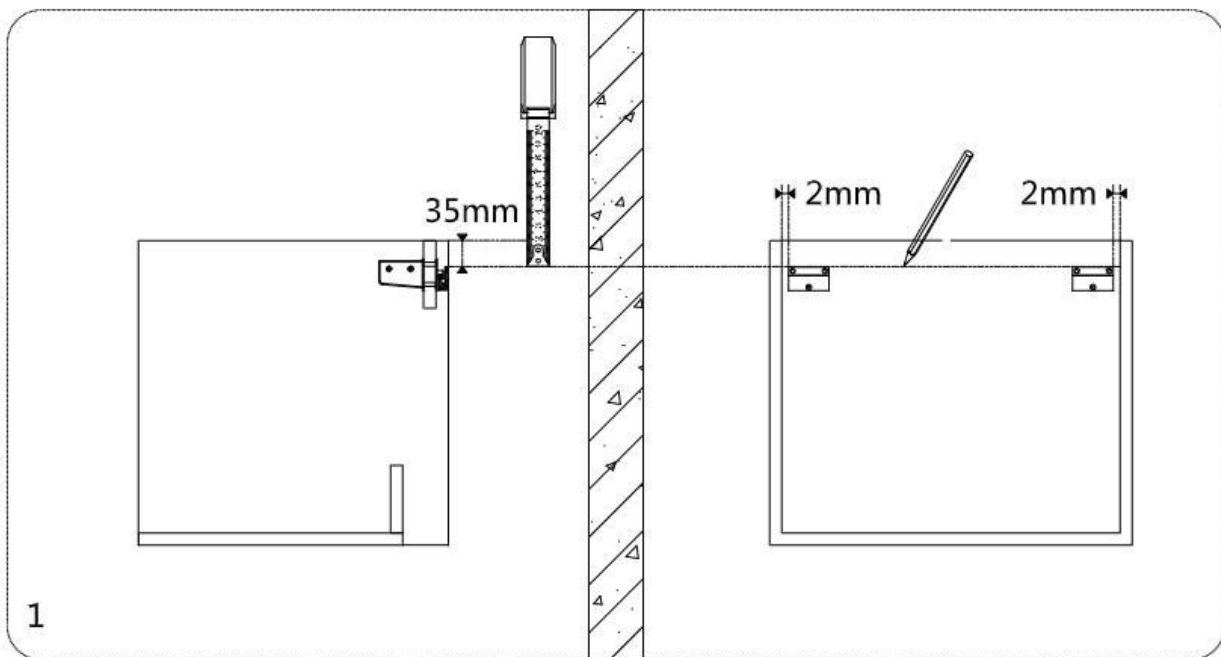
The room in which the unit is being installed, must be well ventilated.

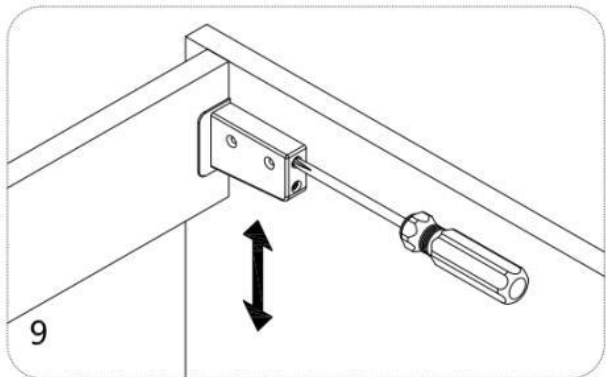
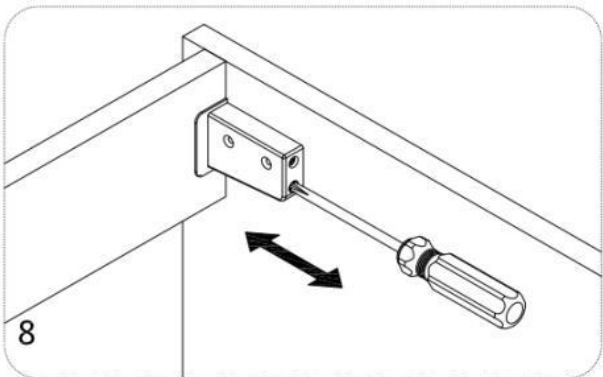
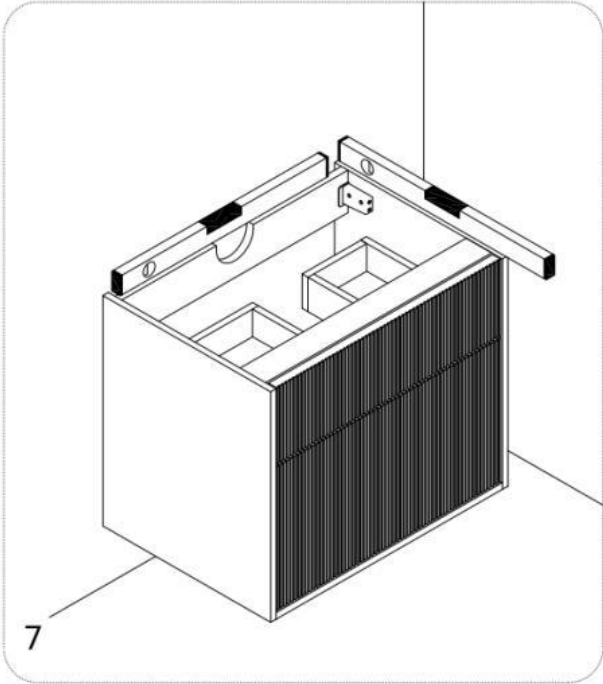
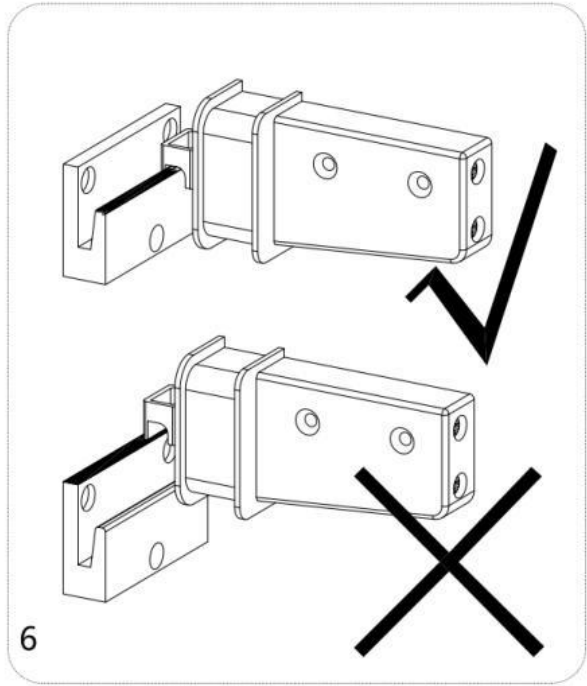
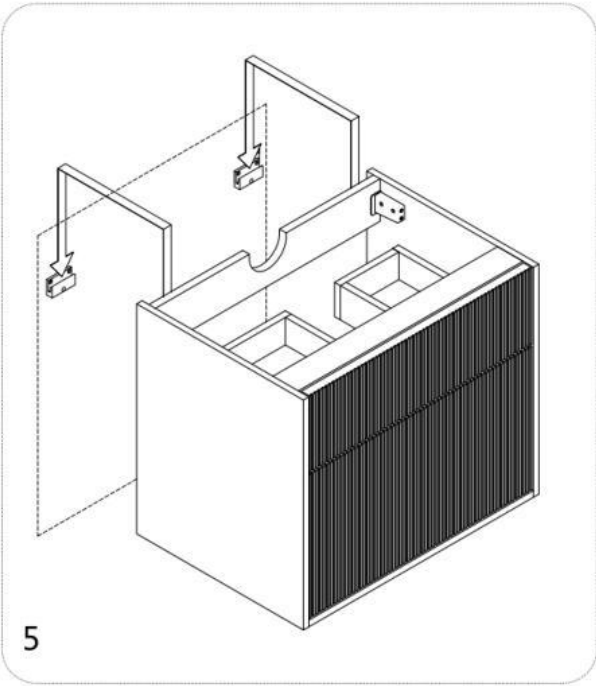
Please check for pipes and cables prior to drilling, after the position of the brackets is marked, drill the holes in the wall, using an 8mm drill bit(not supplied), to a depth of approx 50mm.

Insert the wall plugs and tap flush with the wall surface and secure the wall brackets into place.

Check the brackets fitted to the unit are fully tightened.

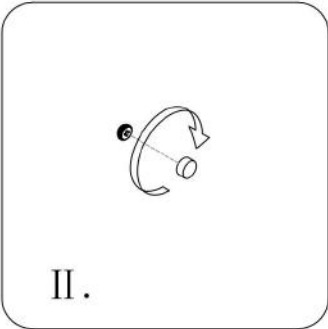
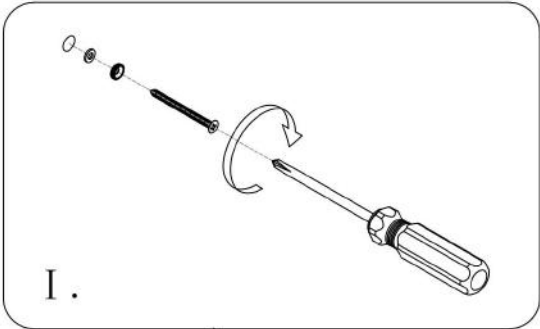
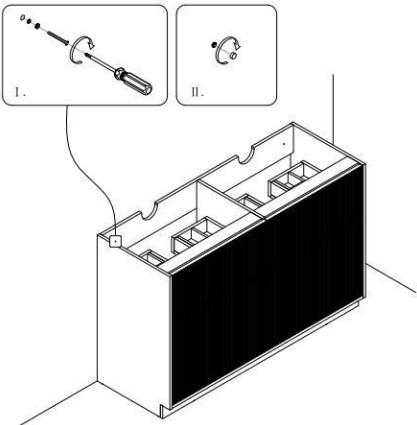
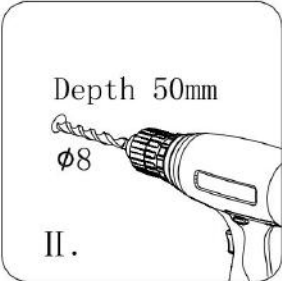
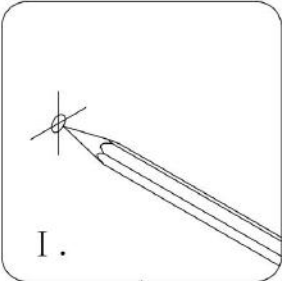
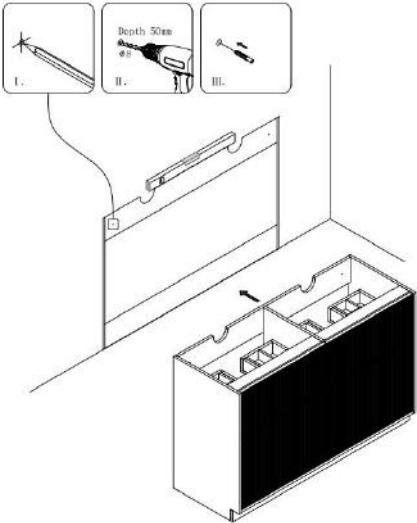
# Wall Hung Installation:





# Floor Standing Installation:

Units must be secured to the wall





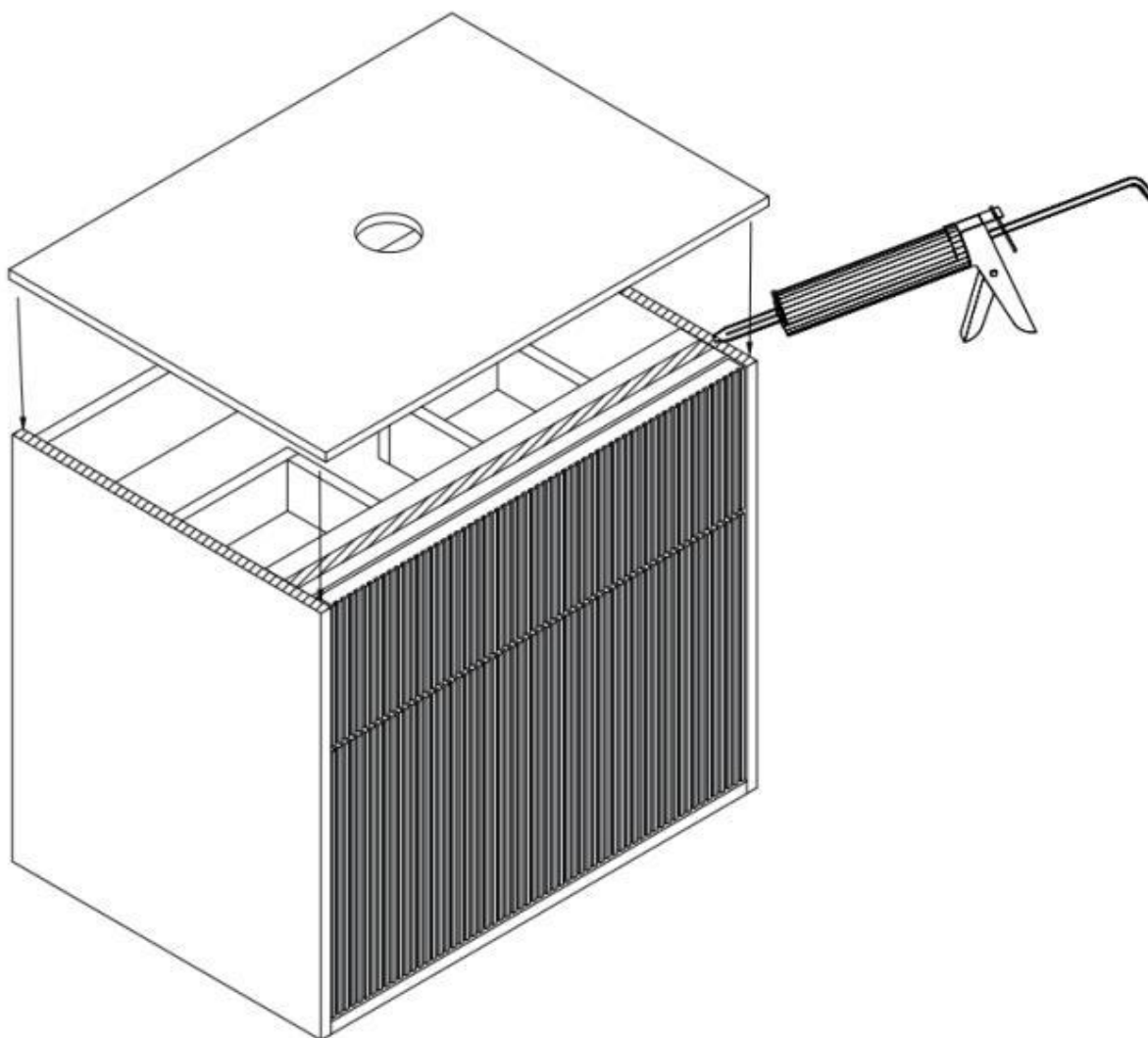
## Countertop installation:

Please note for a countertop installation, the basin hole has been drilled and there is no tap hole. Before installing the countertop, confirm your selected basin will fit countertop. If you need to match a tap, please drill a tap hole according to your tap and the drilled edge must be sealed.

After the basin hole and tap hole are confirmed, the countertop can be fitted to the unit, by applying a bead of silicone between the unit and countertop to provide a seal and fixing for countertop to the unit.

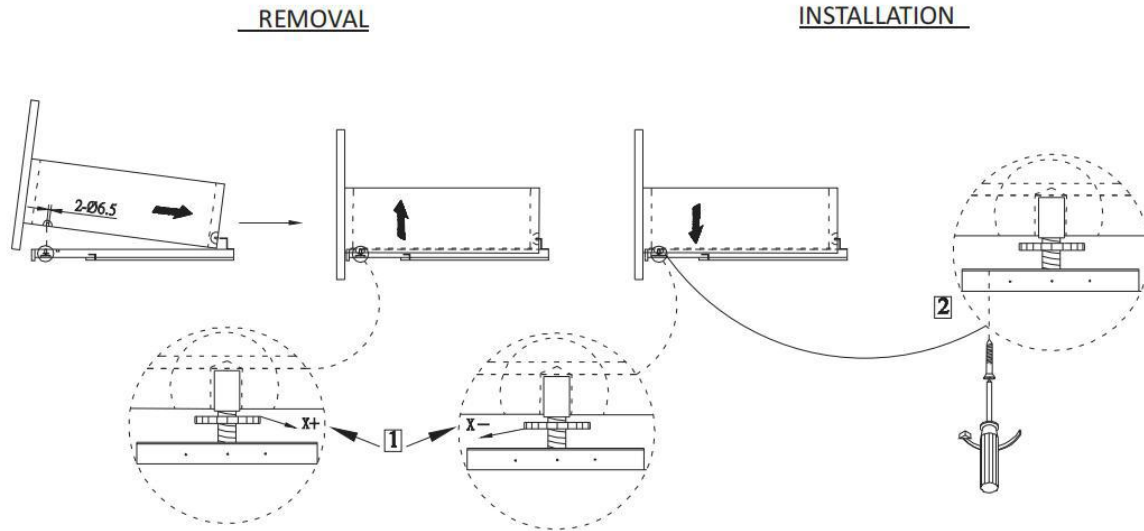
Also run a bead of silicone along the back edge of the base where it meets the wall.

After silicone has been applied, this must be left for 24 hours to dry.



# Troubleshooting:

## DRAWER REMOVAL & INSTALLATION



## Maintenance and Cleaning

Wipe the product clean and dry regularly, especially when the product is subject to steam or splashes.

Do not use harsh chemicals or materials on the product, as this will damage the product and invalidate your guarantee.

To clean and maintain the product, wipe using a clean damp cloth and wipe dry with a soft cloth.

### **For more information**

- visit [betterbathrooms.com](http://betterbathrooms.com)
- email [customerservices@buyitdirect.co.uk](mailto:customerservices@buyitdirect.co.uk)
- call 0330 390 3062
- write to Trident Business Park, Neptune Way, Huddersfield, HD2 1UA

**better  
bathrooms**

Part of the BuyItDirect Group